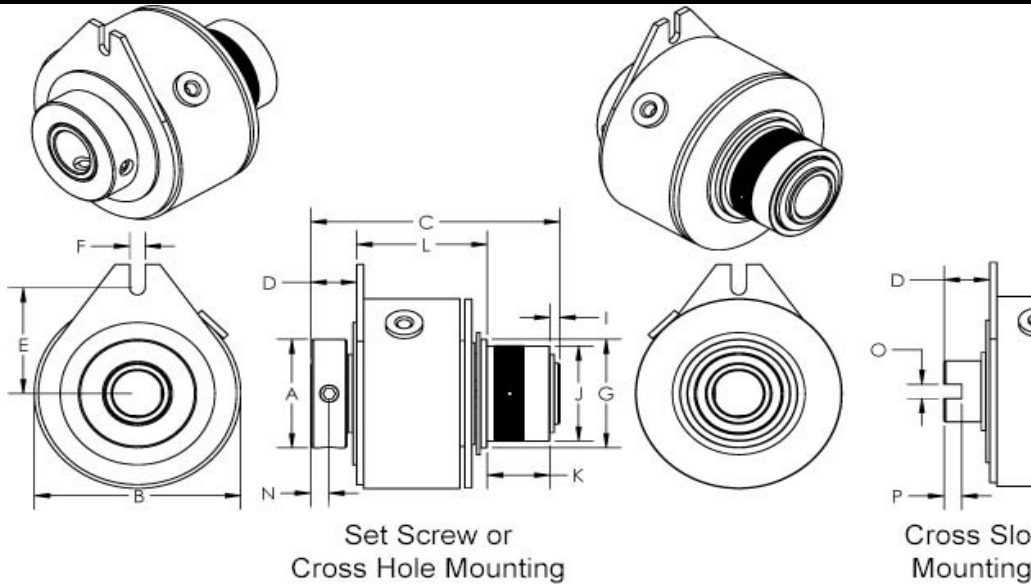


M75F



Set Screw or
Cross Hole Mounting

Cross Slot
Mounting

Tiny-Clutch M75F M-Series Magnetic Spring Clutch

Specifications:		Options:	
Max Torque	50 in/lbs	Bore	7/16", 1/2", 11mm, 12mm, 13mm
Max Speed	1200 RPM	Mounting	Set Screw, CrossHole, Cross Slot, Set Screw & Cross Hole
Dimension A	1.00 in *	Drive	Clockwise, Counter Clockwise
Dimension B	1.75 in	Voltage	12VDC, 24VDC, 90VDC
Dimension C	2.11 in	Hub Type	Knurled Drum or Plain Drum
Dimension D	0.39 in		
Dimension E	0.98 in		
Dimension F	0.13 in		
Dimension G	1.00 in		
Dimension I	0.08 in		
Dimension J	0.875 in		
Dimension K	0.53 in		
Dimension L	1.11 in		
Dimension N	0.15 in *		
Dimension O	0.13 in **		
Dimension P	0.15 in **		

* N/A For -CS ** For -CS Only

Tiny-Clutch | Helander Products, Inc.

www.TinyClutch.com

TinyClutch@HelanderProducts.com

860.669.7953