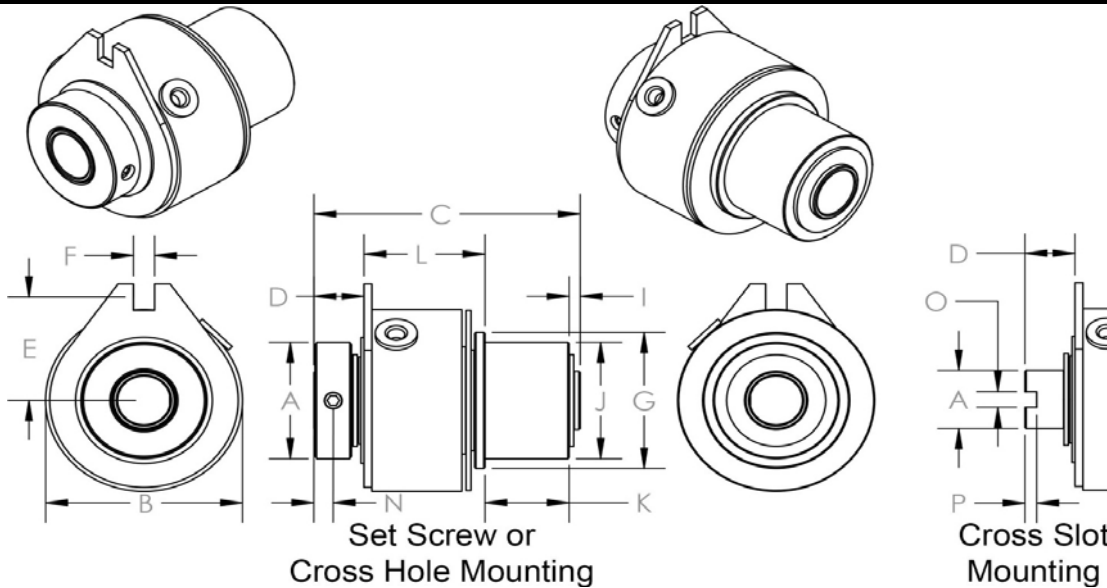


M50D



Tiny-Clutch M50D M-Series Magnetic Spring Clutch

| Specifications: | | Options: | |
|--------------------|-------------|-----------------|-------------------------------------|
| Max Torque | 25 in/lbs | Bore | 1/8", 3/16", 1/4", 5/16", 3mm, 4mm, |
| Max Speed | 3000 rpm | | 5mm, 6mm, 7mm, 8mm |
| Dimension A | 0.75 in * | Mounting | Set Screw, Cross Hole, Cross Slot, |
| | 0.375 in ** | | Set Screw & Cross Hole |
| Dimension B | 1.17 in | Drive | Clockwise, Counter Clockwise |
| Dimension C | 1.58 in | Voltage | 6VDC, 12VDC, 24VDC, 90VDC |
| Dimension D | 0.30 in | Hub Type | Knurled Drum, Plain Drum |
| Dimension E | 0.67 in | | |
| Dimension F | 0.13 in | | |
| Dimension G | 0.88 in | | |
| Dimension I | 0.07 in | | |
| Dimension J | 0.75 in | | |
| Dimension K | 0.50 in | | |
| Dimension L | 0.72 in | | |
| Dimension N | 0.12 in * | | |
| Dimension O | 0.101 in ** | | |
| Dimension P | 0.07 in ** | | |

* N/A For -CS ** For -CS Only

Tiny-Clutch | Helander Products, Inc.

www.TinyClutch.com

TinyClutch@HelanderProducts.com

860.669.7953