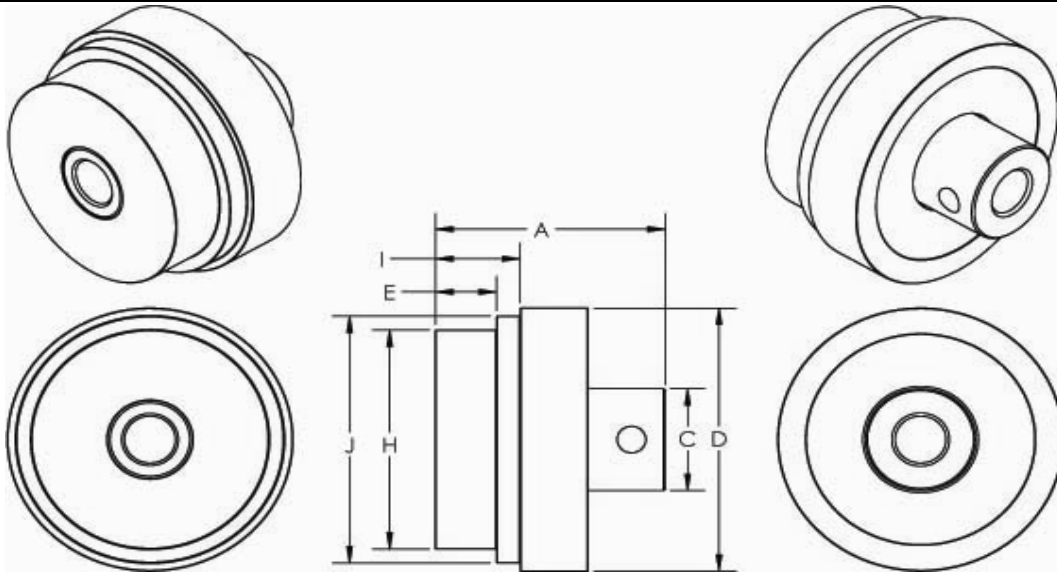


D75D



Tiny-Clutch D75D D-Series Roller Clutch

Specifications:		Options:	
Max Torque	10 in/lbs	Bore	3/16", 1/4", 5/16", 4mm, 5mm, 6mm, 7mm, 8mm
Max Speed	6000 rpm		Set Screw, CrossHole
Dimension A	0.85 in		Set Screw & Cross Hole
Dimension C	0.41 in	Mounting	Keyway w/ Set Screw
Dimension D	1.05 in		Drive
Dimension E	0.22 in		
Dimension H	0.877 in		
	0.871 in		
Dimension I	0.31 in		
Dimension J	0.99 in		

Tiny-Clutch | Helander Products, Inc.

www.TinyClutch.com

TinyClutch@HelanderProducts.com

860.669.7953